

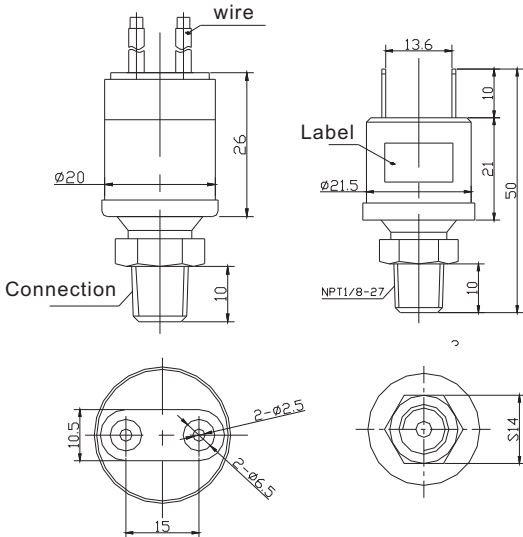
XYK-114/117 Pressure Switch



Feature & Benfits

- Automatic Reset
- Single-Pole;single throw switch
- normally open or normally close
- Factory calibrated set point from 5 PSI to 650PSI
- High cycle life-Proven reliability
- Custom engineered solutions
- Applications: Compersors & Pumps,Hydraulics
Pneumatics,Engine Controls
Construction Equipment
Agricultural Equipment

Outline Drawings (Dimension in mm)



Specifications

| Model | XYK-117 | XYK-114 |
|------------------|---|---------------------------|
| Set Point | 5-650psi(Factory Calibrated) | |
| Electric Rating | AC120/240V,375VA | |
| | 120VAC,5.8FLA-34.8LRA;240VAC,2.9FLA-15LRA | |
| Proof Pressure | 700psi,others are optional | |
| Temperature | -20℃-90℃ | |
| Contact Material | Ag alloy | |
| Connection | See the Order Ref | |
| Contact Type | SPST NO or NC | |
| Terminal | 6.3 mm Blade | Wire leads with connector |

Conversion:1kgf/cm²=14.2PSI, 1Bar=14.5PSI

Order Ref No:

Example: Part No: XYK-117-2C-050/030-A-A-050

| XYK- 117 | — 2 | C | — 050 / 030 | A | A | — 050 |
|---|---------------------|-------------------|--------------------------|----------------|------------|-------------|
| Type | Connection | Contact Type | Falling (PSI) | Media | Cover | wire length |
| 117:1/4 blade | 1 1/4" NPT Male | O Single Pole, NO | 5-650psi | A Air | A CoverA | |
| 114:wire leads | 2 1/8" NPT Male | C Single Pole, NC | | W Water | B No Cover | |
| 117S: with 1/4 blade &Wetted Parts Stainless steel | 3 7/16" UNF Female | | Rising (PSI) 5-650psi | O Oil | | |
| 114S: with wire leads &Wetted Parts Stainless steel | 4 R1/4 Male | | | R Refrigerants | | |
| 117SS: with 1/4 blade Housing & Wetted Parts Stainless steel | 5 R1/8 Male | | | OT Others | | |
| 114SS: with wire leads Housing & Wetted Parts Stainless steel | 6 G1/8 Male | | | | | |
| | 7 G1/4 Male | | | | | |
| | 8 6.3mm Copper Tube | | | | | |

XYK-114/117 Pressure Switch